

1156P Series Differential Pressure Switch

Miniature Differential Pressure Switch

Nega-Rate® Belleville disc spring/limp diaphragm sensing mechanism and small size provides excellent vibration and shock resistant capabilities.

- Differential pressure switch
- Compact aluminum construction
- For pneumatic, fuel and moderate hydraulic applications



General Specifications

- Set point range from 7 to 280 psid
- Deadband range from 5 psi or 10%, whichever is greater, to 45% of the set point
- Proof pressure up to 3000 psig - High side only
- SPDT snap action switch element
- Electrical assembly hermetically sealed per MIL-HDBK-5400 Para. 3.8
- Temperature Range:
 - Ambient -65°F to +275°F (-54°C to +135°C)
 - Media -65°F to +400°F (-54°C to +204°C)
- Vibration capability to 15G's

Optional Features

- Set point range up to 1000 psid
- Dry circuit to 7 amps 28 VDC electrical rating
- DPDT snap action switch element or patented shunt-disc
- Latching relay
- Thermal lockout
- Electrical connector per most military specifications or wire leads per MIL-W-16878/4
- Operating (ambient) temperature up to 400°F (204°C)
- Vibration capabilities up to 25G's with a switch element, or 100G's with a patented shunt-disc (Patent No. 3876845)
- Reversed port version
- 3000 psig simultaneous proof

Heritage

The Series 1156P has seen usage in Military programs.

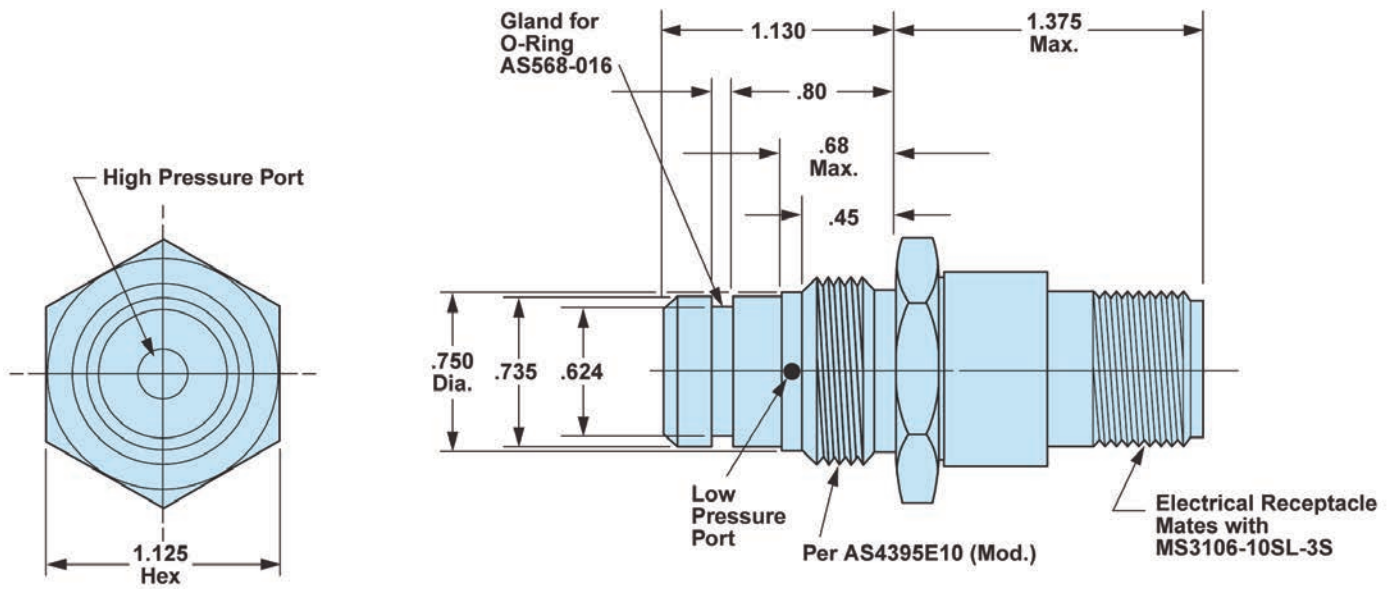


ITT

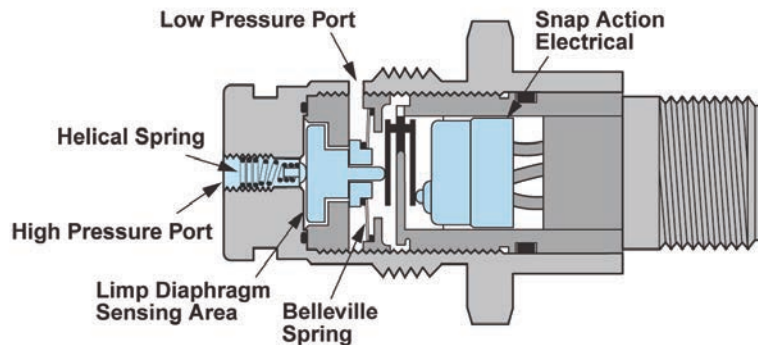
ITT Aerospace Controls | 28150 Industry Drive | Valencia, CA 91355, USA
Phone: 661-295-4000 | Fax: 661-294-1750
Email: sales.aerospace@itt.com | Web: www.ittaerospace.com

1156P Series Differential Pressure Switch

Envelope Dimensions



Basic Principles of Design



ITT

ITT Aerospace Controls | 28150 Industry Drive | Valencia, CA 91355, USA
Phone: 661-295-4000 | Fax: 661-294-1750
Email: sales.aerospace@itt.com | Web: www.ittaerospace.com

AER0932-1156 04/24

Specifications and dimensions subject to change.