

1184P Vacuum Switch

Vacuum Switch

Nega-Rate® Belleville disc spring/limp diaphragm sensing mechanism is suited for air, oil and fuel applications.

- Vented gauge vacuum switch
- Water column setting capability



General Specifications

- Set point range from .5 to 100" H₂O vacuum
- Deadband range from 3" H₂O or 15%, whichever is greater, to 45% of the set point
- System pressure up to 100 psig
- Proof pressure up to 150 psig
- SPDT snap action switch element
- Temperature Range:
 - Ambient -65°F to +275°F (-54°C to +135°C)
 - Media -65°F to +275°F (-54°C to +135°C)
- Vibration capability to 5G's

Optional Features

- Narrow to extremely wide deadband
- Dry circuit to 10 amps 28 VDC electrical rating
- DPDT snap action switch element
- Electrical chamber hermetically sealed per MIL-HDBK-5400 Para. 3.8 (Required for fluid service)
- Electrical connector per most military specifications or wire leads per MIL-W-16878/4
- Pressure connection per most military specifications
- Operating (ambient) temperature up to 350°F (177°C)
- Vibration capabilities up to 20G's

Heritage

The Series 1184P has seen usage in Military programs.

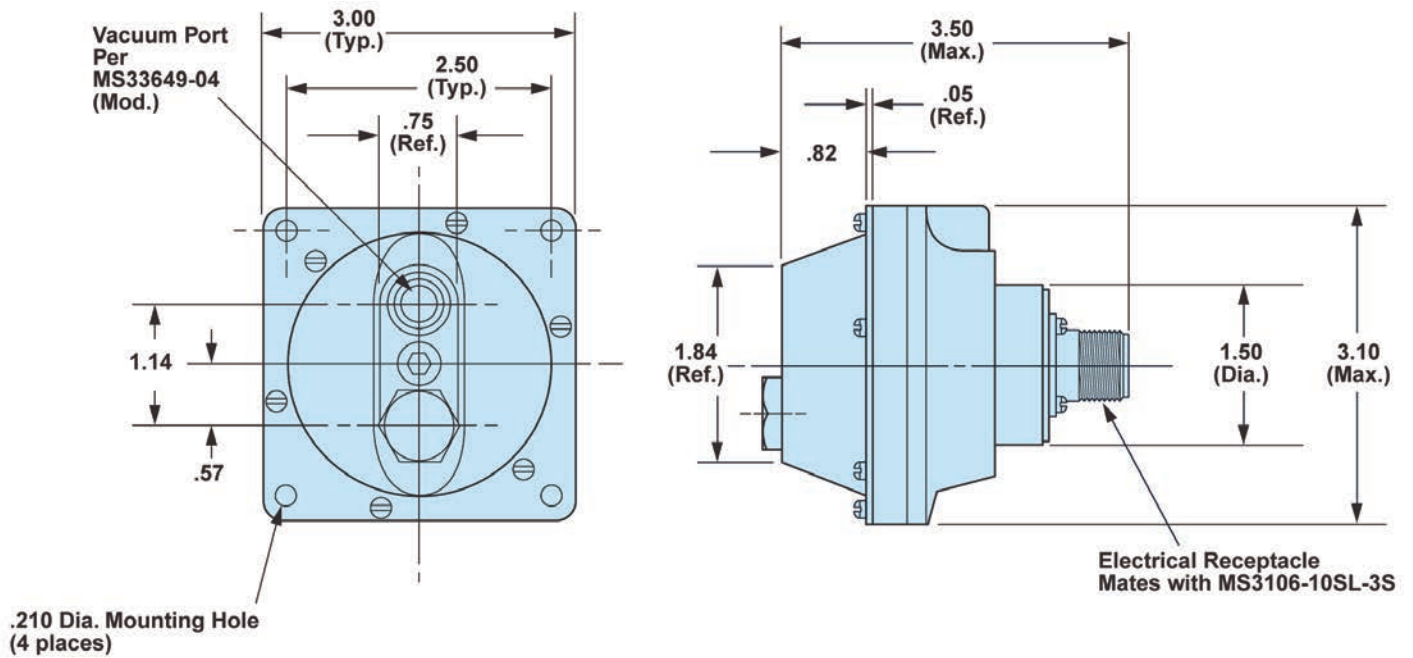


ITT

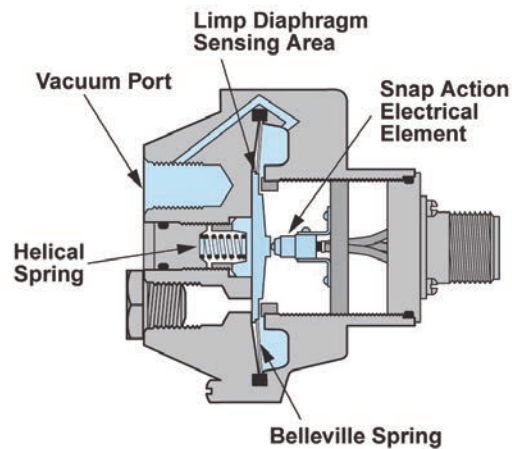
ITT Aerospace Controls | 28150 Industry Drive | Valencia, CA 91355, USA
Phone: 661-295-4000 | Fax: 661-294-1750
Email: sales.aerospace@itt.com | Web: www.ittaerospace.com

1184P Vacuum Switch

Envelope Dimensions



Basic Principles of Design



ITT

ITT Aerospace Controls | 28150 Industry Drive | Valencia, CA 91355, USA
Phone: 661-295-4000 | Fax: 661-294-1750
Email: sales.aerospace@itt.com | Web: www.ittaerospace.com

AER0932-1184 04/24

Specifications and dimensions subject to change.