

1163P Series Differential Pressure Switch

Differential Pressure Switch

Nega-Rate® Belleville disc spring diaphragm sensing mechanism is suited for air, oil and fuel applications.

- Hermetically sealed, all stainless steel electrical enclosure
- Stable set points over varying system pressures



General Specifications

- Set point range from 3 to 70 psid
- Deadband range from 2 psi or 15%, whichever is greater, to 45% of the set point
- System pressure up to 350 psig
- Proof pressure up to 500 psig
- SPDT snap action switch element
- Electrical chamber hermetically sealed
- Temperature Range
 - Ambient -65°F to +275°F (-54°C to +135°C)
 - Media -65°F to +275°F (-54°C to +135°C)
- Vibration capability to 10G's

Optional Features

- Available as gauge or vacuum switch
- Narrow to extremely wide deadband
- Dry circuit to 10 amps 28 VDC electrical rating
- Electrical connector per most military specifications or wire leads
- Pressure connection per most military specifications
- Operating (ambient) temperature up to 400°F (204°C)
- Vibration capabilities up to 20G's

Heritage

The Series 1163P has seen usage in numerous applications in fixed wing aircraft – both commercial and military, and on ships.

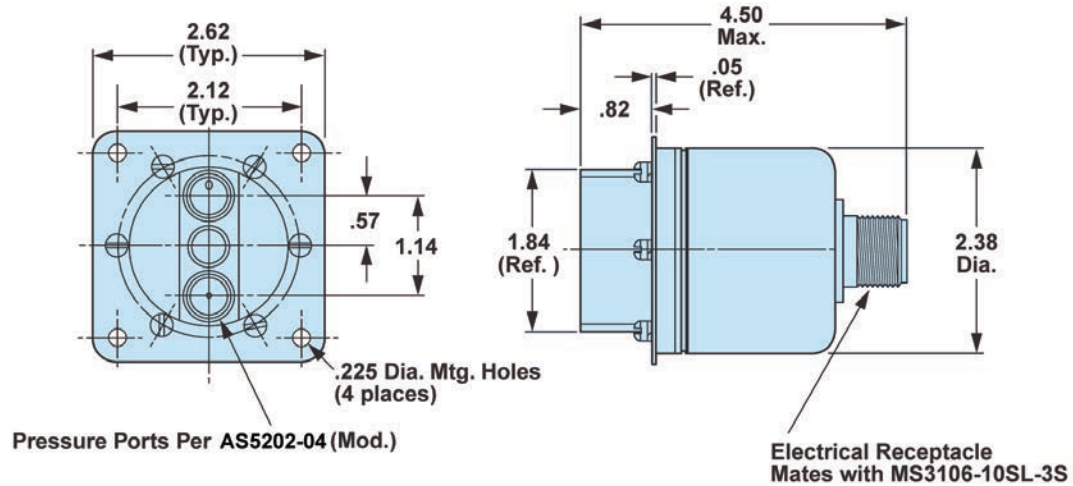


ITT

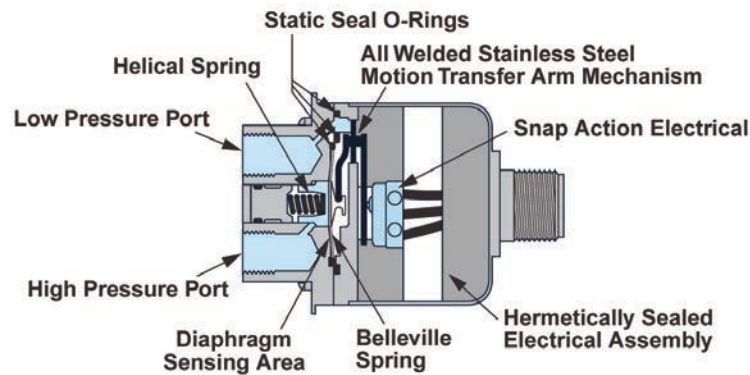
ITT Aerospace Controls | 28150 Industry Drive | Valencia, CA 91355, USA
Phone: 661-295-4000 | Fax: 661-294-1750
Email: sales.aerospace@itt.com | Web: www.ittaerospace.com

1163P Series Differential Pressure Switch

Envelope Dimensions



Basic Principles of Design



ITT

ITT Aerospace Controls | 28150 Industry Drive | Valencia, CA 91355, USA
Phone: 661-295-4000 | Fax: 661-294-1750
Email: sales.aerospace@itt.com | Web: www.ittaerospace.com

AER0932-1163 04/24

Specifications and dimensions subject to change.