

1173L Limit Switch

Limit Switch

Nega-Rate® Belleville disc spring position sensing mechanism. Small size and stainless steel construction is designed for the most hostile vibration, shock and temperature conditions.

- Hermetically sealed limit switch
- Welded stainless steel construction



General Specifications

- Operating force from 4 lbs. to 12 lbs.
- Release force down to 1 lb.
- Overtravel to 0.250 inch
- Operating point tolerance down to $\pm .010$ inch
- Temperature Range
Ambient -65°F to +275°F
(-54°C to +135°C)
- Electrical assembly hermetically sealed
- Will operate submerged in unpressurized system

Optional Features

- DPDT snap action switch element or patented Shunt-Disc®
- Roller option
- Electrical connector per most military specifications or wire leads
- Operating (ambient) temperature up to 400°F (204°C)
- Vibration capabilities up to 100G's with patented Shunt-Disc®

Heritage

The Series 1173L has seen usage in commercial aircraft programs.

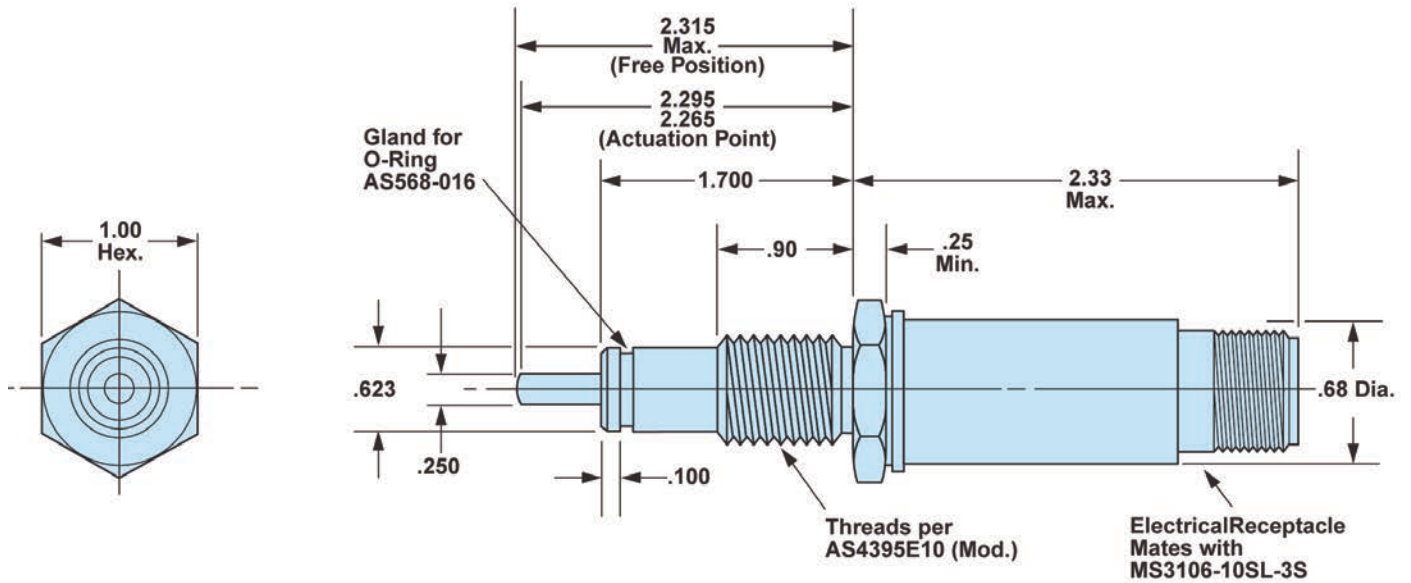


ITT

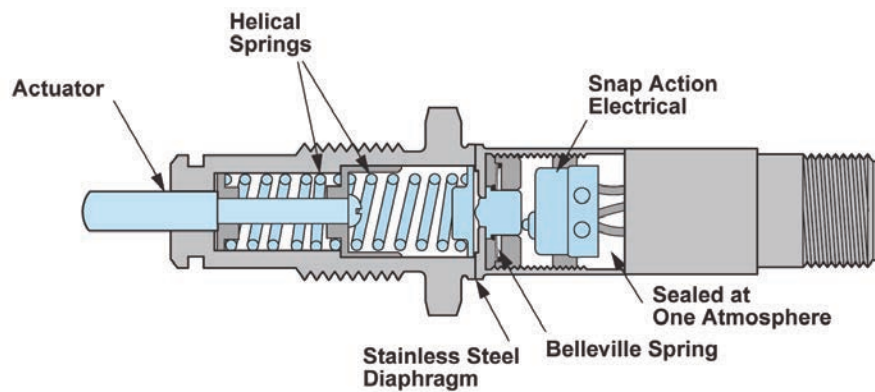
ITT Aerospace Controls | 28150 Industry Drive | Valencia, CA 91355, USA
Phone: 661-295-4000 | Fax: 661-294-1750
Email: sales.aerospace@itt.com | Web: www.ittaerospace.com

1173L Limit Switch

Envelope Dimensions



Basic Principles of Design



ITT

ITT Aerospace Controls | 28150 Industry Drive | Valencia, CA 91355, USA
Phone: 661-295-4000 | Fax: 661-294-1750
Email: sales.aerospace@itt.com | Web: www.ittaerospace.com

AER0932-1173 04/24

Specifications and dimensions subject to change.