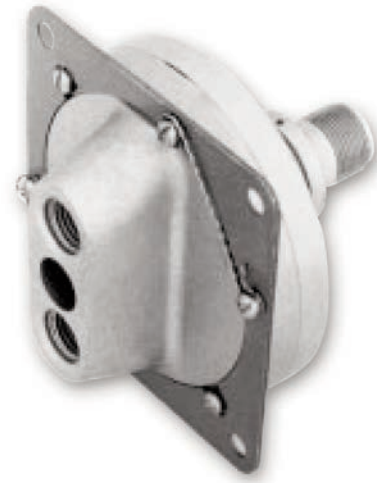


# 1164P Series Differential Pressure Switch

## Differential Pressure Switch

Nega-Rate® Belleville disc spring/limp diaphragm sensing mechanism is suited for air and fluid applications.

- Water column differential setting capability
- Stable set points over varying system conditions



## General Specifications

- Set point range from 5 to 100" H<sub>2</sub>O differential
- Deadband range from 3" H<sub>2</sub>O or 15%, whichever is greater, to 45% of the set point
- System pressure up to 100 psig
- Proof pressure up to 150 psig
- SPDT snap action switch element
- Temperature Range:
  - Ambient -65°F to +275°F (-54°C to +135°C)
  - Media -65°F to +275°F (-54°C to +135°C)
- Vibration capability to 5G's

## Typical Options

- Narrow to extremely wide deadband
- Dry circuit to 10 amps 28 VDC electrical rating
- DPDT snap action switch element
- Electrical connector per most military specifications or wire leads per MIL-W-16878/4
- Pressure connection per most military specifications
- Operating (ambient) temperature up to 350°F (177°C)
- Vibration capabilities up to 20G's

## Heritage

The Series 1164P has seen usage in numerous applications in Fixed Wing Aircraft – both Commercial and Military, Military Helicopters and Naval usage.

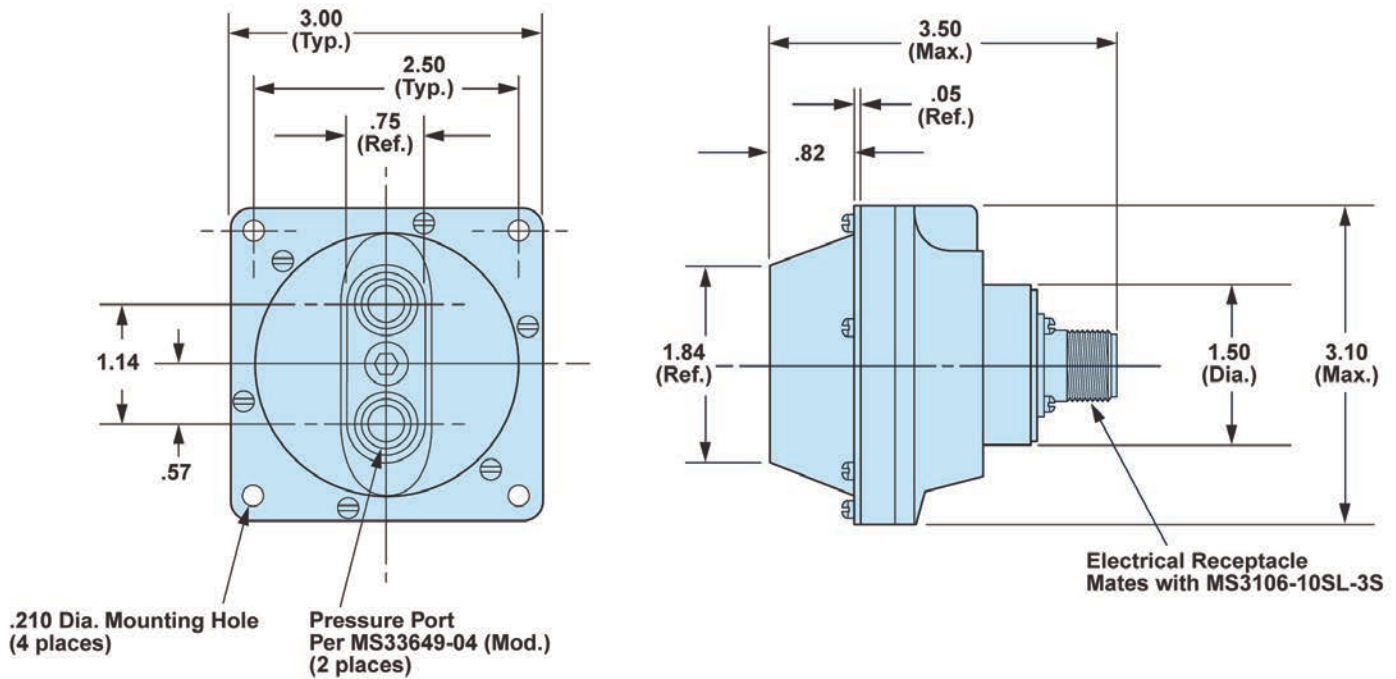


**ITT**

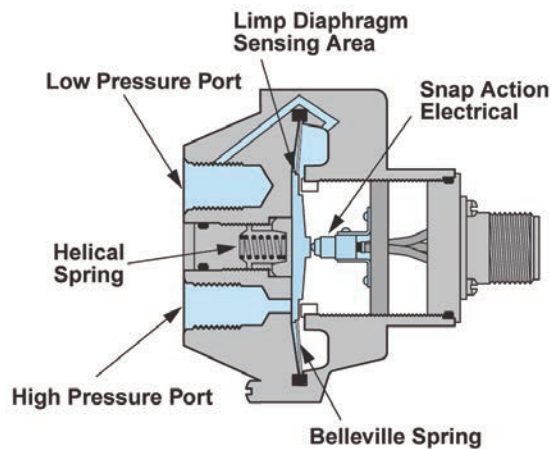
ITT Aerospace Controls | 28150 Industry Drive | Valencia, CA 91355, USA  
Phone: 661-295-4000 | Fax: 661-294-1750  
Email: sales.aerospace@itt.com | Web: www.ittaerospace.com

# 1164P Series Differential Pressure Switch

## Envelope Dimensions



## Basic Principles of Design



ITT

ITT Aerospace Controls | 28150 Industry Drive | Valencia, CA 91355, USA  
Phone: 661-295-4000 | Fax: 661-294-1750  
Email: sales.aerospace@itt.com | Web: www.ittaerospace.com

AER0932-1164 04/24

Specifications and dimensions subject to change.