

1153P Series Differential Pressure Switch

Miniature Differential Pressure Switch

Nega-Rate® Belleville disc spring/diaphragm pressure sensing mechanism. Small size and stainless steel construction is designed for the most hostile vibration, shock and temperature conditions.

- Differential pressure switch
- Welded stainless steel construction



General Specifications

- Set point range from 5 to 105 psid
- Deadband range from 3.5 psi or 15%, whichever is greater, to 45% of the set point
- Proof pressure up to 300 psig - Hi over lo simultaneous
- Pressure capsule all stainless steel, heliarc welded and leak proof to 1×10^{-9} SCC/SEC
- SPDT snap action switch element
- Electrical assembly hermetically sealed per MIL-HDBK-5400 Para. 3.8
- Temperature Range:
 - Ambient -65°F to +275°F (-54°C to +135°C)
 - Media -65°F to +400°F (-54°C to +204°C)
- Vibration capability to 15G's

Optional Features

- Set point range from 0.5 to 1200 psid
- Narrow to wide deadband
- Proof pressure up to 4500 psig (hi over lo)
- Dry circuit to 7 amps 28 VDC electrical rating
- DPDT snap action switch element or patented shunt-disc
- Electrical connector per most military specifications or wire leads per MIL-W-16878/4
- Pressure connection per most military specifications
- Operating (ambient) temperature up to 400°F (204°C)
- Vibration capabilities up to 25G's with a switch element, or 100G's (high frequency) with a patented shunt-disc (Patent No. 3876845)
- Flameproof capability

Heritage

The Series 1153P has seen usage in numerous applications in Fixed Wing Aircraft – both Commercial and Military, Military Missiles and Vehicles.

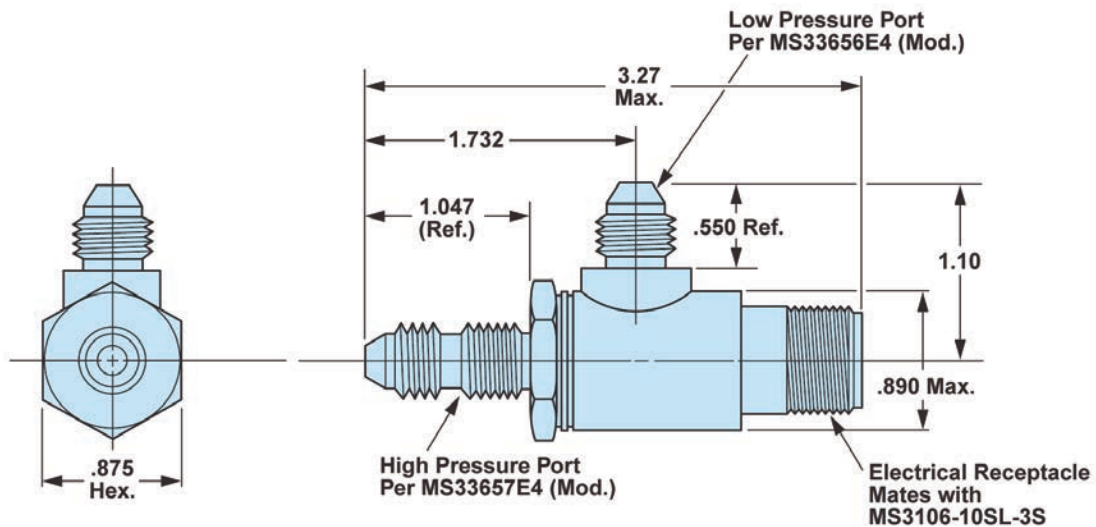


ITT

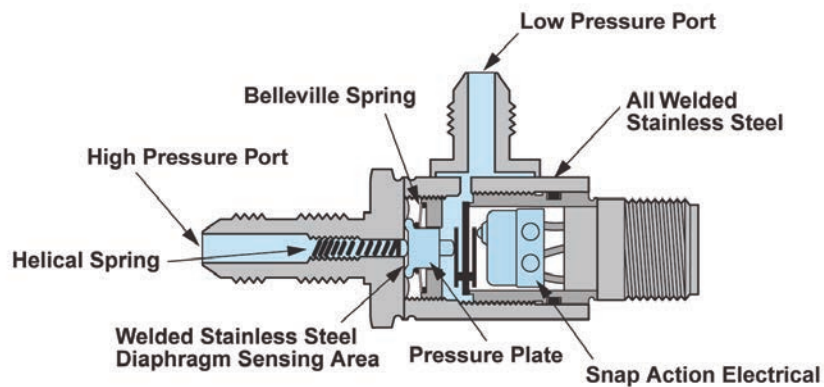
ITT Aerospace Controls | 28150 Industry Drive | Valencia, CA 91355, USA
Phone: 661-295-4000 | Fax: 661-294-1750
Email: sales.aerospace@itt.com | Web: www.ittaerospace.com

1153P Series Differential Pressure Switch

Envelope Dimensions



Basic Principles of Design



ITT

ITT Aerospace Controls | 28150 Industry Drive | Valencia, CA 91355, USA
Phone: 661-295-4000 | Fax: 661-294-1750
Email: sales.aerospace@itt.com | Web: www.ittaerospace.com

AER0932-1153 04/24

Specifications and dimensions subject to change.