

1203P Pressure Switch

Miniature Pressure Switch

Nega-Rate® Belleville disc spring/piston pressure sensing mechanism. Small size and stainless steel construction is designed for the most hostile vibration, shock and temperature conditions.

- Piston sensor design
- Specially designed for hydraulic applications
- Welded stainless steel construction

General Specifications

- Set point range from 500 to 3500 psig
- Deadband range from 100 psi or 10%, whichever is greater, to 45% of the set point
- Proof pressure up to 4500 psig
- SPDT snap action switch element
- Temperature Range:
 - Ambient -65°F to +275°F
(-54°C to +135°C)
 - Media -65°F to +400°F
(-54°C to +204°C)
- Vibration capability to 15G's

Optional Features

- Set point range up to 4500 psig
- System pressure up to 8000 psig
- Proof pressure up to 12000 psig
- Dry circuit to 7 amps 28 VDC electrical rating
- DPDT snap action switch element or patented Shunt-Disc®
- Electrical assembly hermetically sealed
- Electrical connector per most military specifications or wire leads
- Pressure connection per most military specifications
- Operating (ambient) temperature up to 400°F (204°C)
- Vibration capabilities up to 25G's with a switch element, or 100G's (high frequency) with a patented Shunt-Disc®



Heritage

The Series 1203P has seen extensive usage in numerous applications including commercial & military aircraft (both helicopters and airplanes), and military land vehicles (tanks).

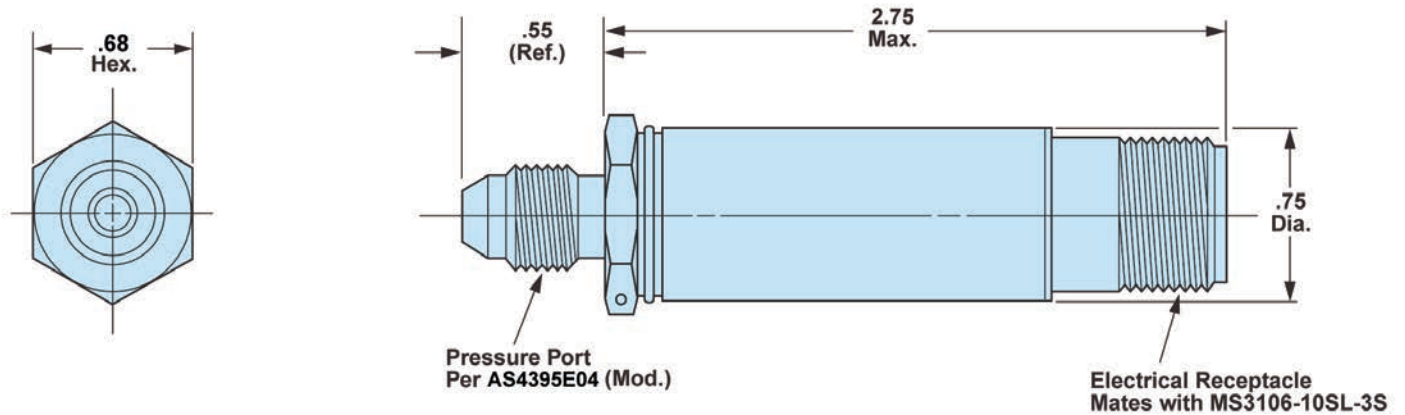


ITT

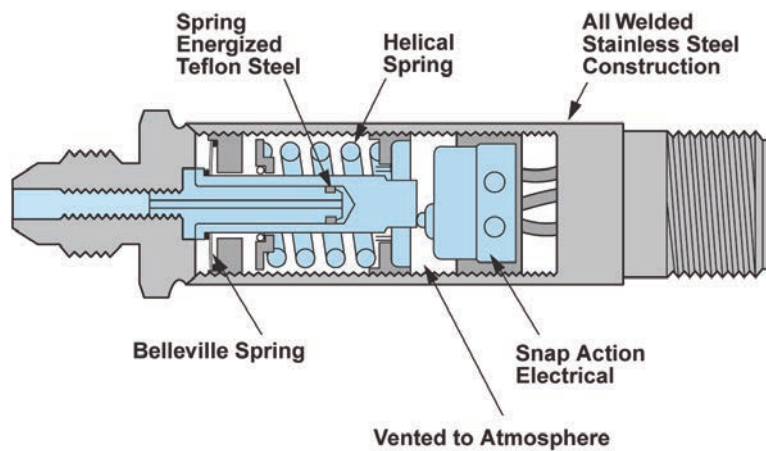
ITT Aerospace Controls | 28150 Industry Drive | Valencia, CA 91355, USA
Phone: 661-295-4000 | Fax: 661-294-1750
Email: sales.aerospace@itt.com | Web: www.ittaerospace.com

1203P Pressure Switch

Envelope Dimensions



Basic Principles of Design



ITT

ITT Aerospace Controls | 28150 Industry Drive | Valencia, CA 91355, USA
Phone: 661-295-4000 | Fax: 661-294-1750
Email: sales.aerospace@itt.com | Web: www.ittaerospace.com

AER0932-1203 04/24

Specifications and dimensions subject to change.