

1173P Pressure Switch

Miniature Pressure Switch

Nega-Rate® Belleville disc spring/diaphragm pressure sensing mechanism. Small size, stainless steel and hermetically sealed construction is designed for the most hostile vibration, shock, temperature and environmental conditions.

- Hermetically sealed gauge switch
- Welded stainless steel construction



General Specifications

- Set point range from 15 to 105 psig
- Deadband range from 3.5 psi or 15%, whichever is greater, to 45% of the set point
- Proof pressure up to 300 psig
- Pressure capsule all stainless steel, heliarc welded and leak proof to 1×10^{-9} SCC/SEC
- SPDT snap action switch element
- Electrical chamber hermetically sealed
- Temperature Range
 - Ambient -65°F to +275°F (-54°C to +135°C)
 - Media -65°F to +400°F (-54°C to +204°C)
- Vibration capability to 15G's

Optional Features

- Set point range up to 1000 psig
- Narrow to wide deadband
- Proof pressure up to 4500 psig
- Dry circuit to 7 amps 28 VDC electrical rating
- DPDT snap action switch element or patented Shunt-Disc®
- Electrical connector per most military specifications or wire leads
- Pressure connection per most military specifications
- Operating (ambient) temperature up to 400°F (204°C)
- Vibration capabilities up to 25G's with a switch element, or 100G's with a patented Shunt-Disc®
- Flame proof capability

Heritage

The Series 1173P has seen extensive usage in numerous applications including commercial & military aircraft (both helicopters and airplanes), military missiles and commercial launch vehicles.

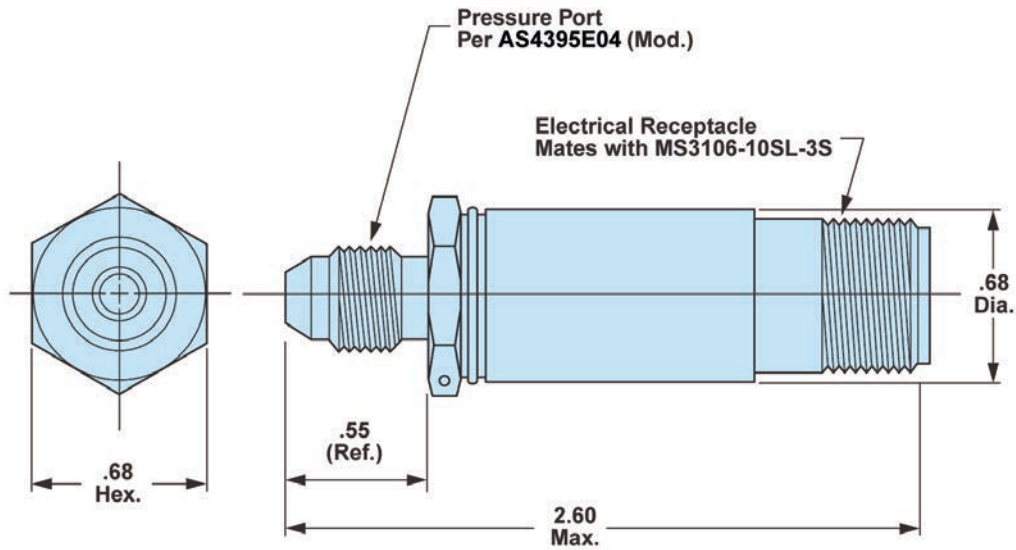


ITT

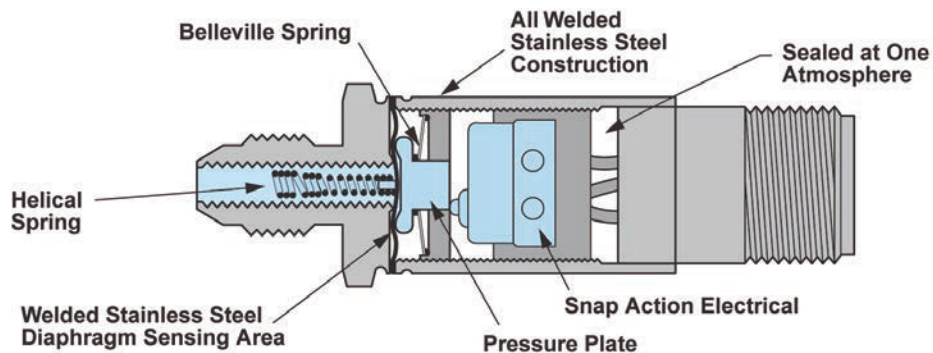
ITT Aerospace Controls | 28150 Industry Drive | Valencia, CA 91355, USA
Phone: 661-295-4000 | Fax: 661-294-1750
Email: sales.aerospace@itt.com | Web: www.ittaerospace.com

1173P Pressure Switch

Envelope Dimensions



Basic Principles of Design



ITT

ITT Aerospace Controls | 28150 Industry Drive | Valencia, CA 91355, USA
Phone: 661-295-4000 | Fax: 661-294-1750
Email: sales.aerospace@itt.com | Web: www.ittaerospace.com

AER0932-1173 04/24

Specifications and dimensions subject to change.