

1103TV Series Temperature Switch

Miniature Temperature Switch

Nega-Rate® Belleville disc spring/diaphragm sensing mechanism activated by saturated vapor thermal system.

- Normally closed air valve
- Welded stainless steel construction



General Specifications

- Set point range from +80°F to +550°F (+27°C to +288°C)
- Calibration tolerance, whichever is greater, $\pm 10^\circ\text{F}$ or $\pm 2\%$ of the set point
- Designed for flow to atmosphere applications
- Deadband range from 15°F minimum to 75°F maximum
- Probe proof temperature up to 100°F above set point or 600°F maximum
- Probe proof pressure up to 1500 psig
- Valve pressure range from 0 to 200 psig
- Valve temperature range up to 750°F (399°C)
- Vibration capability to 15G's

Optional Features

- Set point as low as +30°F (1°C)
- Modulating output
- Probe proof pressure to 5500 psig
- Operating (ambient) temperature up to 500°F (260°C)
- Vibration capabilities up to 30G's

Heritage

The Series 1103TV has seen usage in numerous applications in Commercial and Military Aircraft.

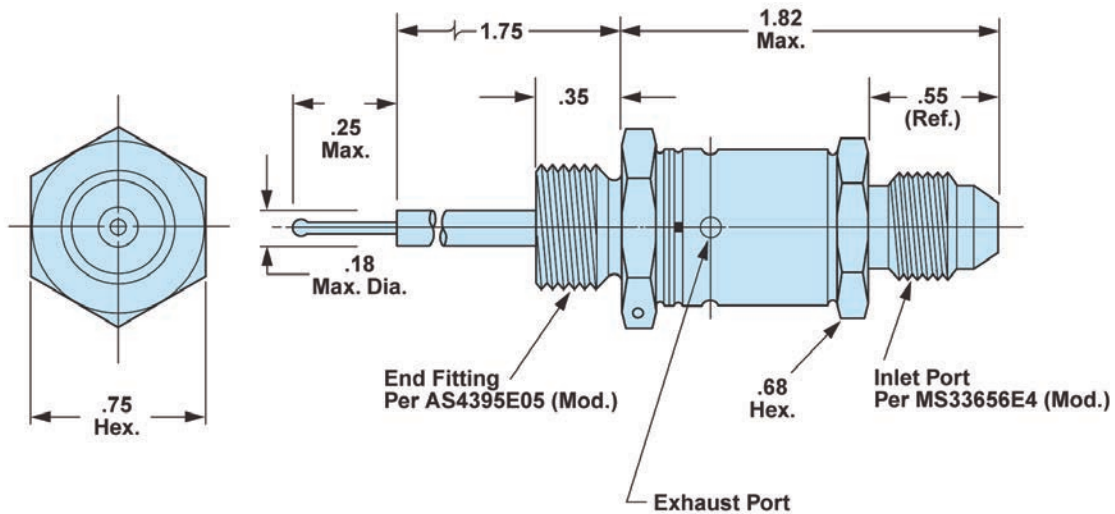


ITT

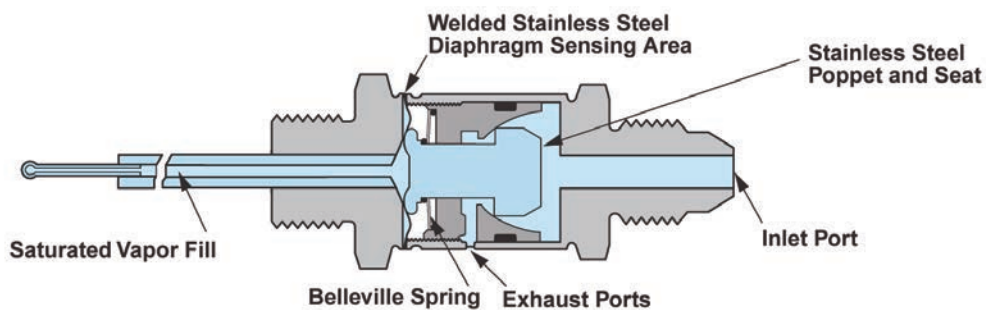
ITT Aerospace Controls | 28150 Industry Drive | Valencia, CA 91355, USA
Phone: 661-295-4000 | Fax: 661-294-1750
Email: sales.aerospace@itt.com | Web: www.ittaerospace.com

1103TV Series Temperature Switch

Envelope Dimensions



Basic Principles of Design



ITT

ITT Aerospace Controls | 28150 Industry Drive | Valencia, CA 91355, USA
Phone: 661-295-4000 | Fax: 661-294-1750
Email: sales.aerospace@itt.com | Web: www.ittaerospace.com

AER0932-1103 04/24

Specifications and dimensions subject to change.