

# 1105P Series Pressure Switch

## Miniature Pressure Switch

Nega-Rate® Belleville disc spring diaphragm sensing mechanism and small size provides excellent vibration and shock resistant capabilities.

- Vented gauge switch
- Versatile aluminum construction
- For pneumatic, fuel and moderate hydraulic applications



## General Specifications

- Set point range from 7 to 280 psig
- Deadband range from 3.5 psi or 8%, whichever is greater, to 45% of the set point
- Proof pressure up to 4500 psig
- SPDT snap action switch element
- Temperature Range:
  - Ambient -65°F to +275°F (-54°C to +135°C)
  - Media -65°F to +400°F (-54°C to +204°C)
- Vibration capability to 15G's

## Optional Features

- Set point up to 2000 psig
- Dry circuit to 7 amps 28 VDC electrical rating
- DPDT snap action switch element or patented Shunt-Disc®
- Electrical assembly hermetically sealed
- Electrical connector per most military specifications or wire leads
- Pressure capsule all stainless steel, heliarc welded and leak proof to  $1 \times 10^{-9}$  SCC/SEC
- Pressure connection per most military specifications
- Operating (ambient) temperature up to 400°F (204°C)
- Vibration capabilities up to 25G's with a switch element, or 100G's with a patented Shunt-Disc®

## Heritage

The Series 1105P is used in both commercial and military aircraft applications. The 1105P also has been used in critical torpedo applications.

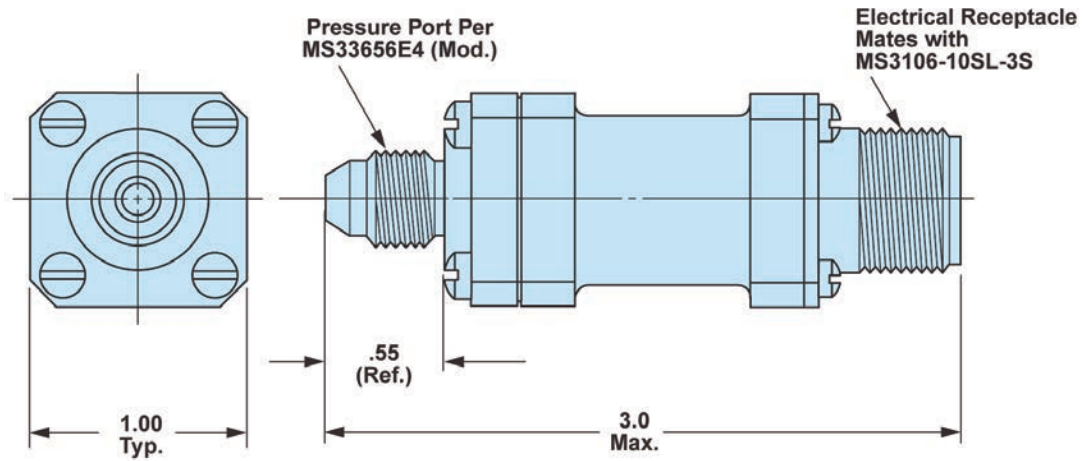


**ITT**

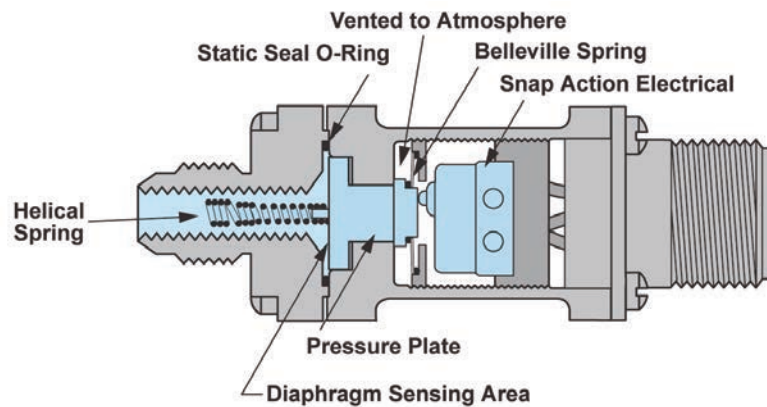
ITT Aerospace Controls | 28150 Industry Drive | Valencia, CA 91355, USA  
Phone: 661-295-4000 | Fax: 661-294-1750  
Email: sales.aerospace@itt.com | Web: www.ittaerospace.com

# 1105P Series Pressure Switch

## Envelope Dimensions



## Basic Principles of Design



**ITT**

ITT Aerospace Controls | 28150 Industry Drive | Valencia, CA 91355, USA  
Phone: 661-295-4000 | Fax: 661-294-1750  
Email: sales.aerospace@itt.com | Web: www.ittaerospace.com

AER0932-1105 04/24

Specifications and dimensions subject to change.