

# 1144P Series Compact Pressure Switch

## Compact Pressure Switch

Nega-Rate® Belleville disc spring/limp diaphragm sensing mechanism is suited for air, oil and fuel applications.

- Vented gauge switch
- Water column setting capability



## General Specifications

- Set point range from 5 to 100" H<sub>2</sub>O
- Deadband range from 3" H<sub>2</sub>O or 15%, whichever is greater, to 45% of the set point
- System pressure up to 100 psig
- Proof pressure up to 150 psig
- SPDT snap action switch element
- Temperature Range:
  - Ambient -65°F to +275°F (-54°C to +135°C)
  - Media -65°F to +275°F (-54°C to +135°C)
- Vibration capability to 5G's

## Optional Features

- Narrow to extremely wide deadband
- Dry circuit to 7 amps 28 VDC electrical rating
- DPDT snap action switch element
- Electrical assembly hermetically sealed per MIL-HDBK-5400 Para. 3.8
- Electrical connector per most military specifications or wire leads per MIL-W-16878/4
- Operating (ambient) temperature up to 350°F (177°C)
- Vibration capabilities up to 20G's

## Heritage

The Series 1144P has been used primarily in aircraft type applications.

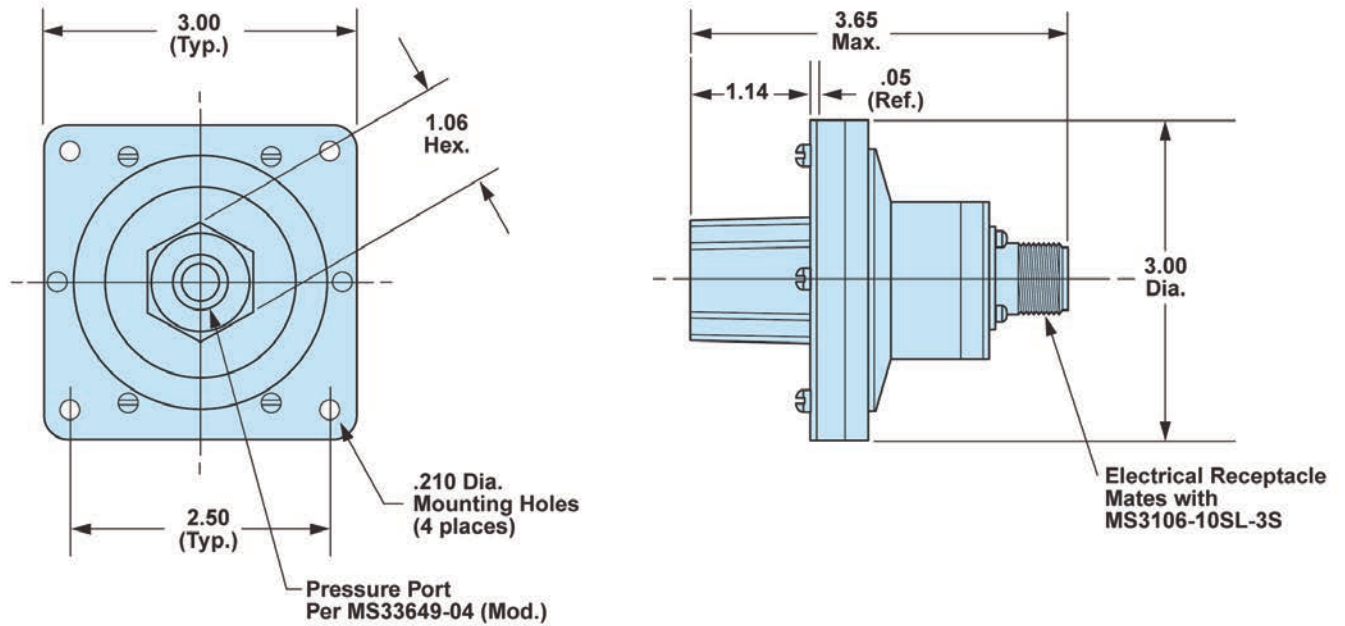


**ITT**

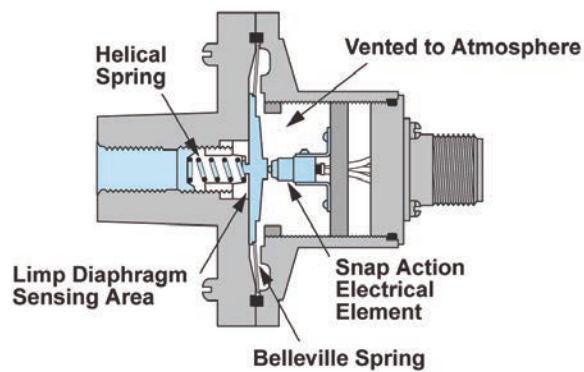
ITT Aerospace Controls | 28150 Industry Drive | Valencia, CA 91355, USA  
Phone: 661-295-4000 | Fax: 661-294-1750  
Email: sales.aerospace@itt.com | Web: www.ittaerospace.com

# 1144P Series Compact Pressure Switch

## Envelope Dimensions



## Basic Principles of Design



**ITT**

ITT Aerospace Controls | 28150 Industry Drive | Valencia, CA 91355, USA  
Phone: 661-295-4000 | Fax: 661-294-1750  
Email: sales.aerospace@itt.com | Web: www.ittaerospace.com

AER0932-1144 04/24

Specifications and dimensions subject to change.