

1194P Absolute Pressure Switch

Miniature Absolute Pressure Switch

Nega-Rate® Belleville disc spring sensing mechanism and sensitive aneroid capsule suited for barometric applications from 0 to 100,000 feet.

- Aneroid capsule type pressure switch
- Suitable for altitude sensing applications



General Specifications

- Set point range from .5" to 70" HgA
- Deadband range from 1.5" to 2.0" Hg minimum
- Proof pressure up to 50 psig
- SPDT snap action switch element
- Temperature Range:
 - Ambient -65°F to +160°F (-54°C to +71°C)
 - Media -65°F to +160°F (-54°C to +71°C)
- Vibration capability to 10G's

Optional Features

- Extremely wide deadband
- Dry circuit to 7 amps 28 VDC electrical rating
- DPDT snap action switch element
- Electrical assembly hermetically sealed
- Electrical connector per most military specifications or wire leads
- Pressure connection per most military specifications
- Operating (ambient) temperature up to 275°F (135°C)
- Vibration capabilities up to 15G's

Heritage

The Series 1194P has seen usage in numerous applications including commercial and military aircraft and commercial launch vehicles.

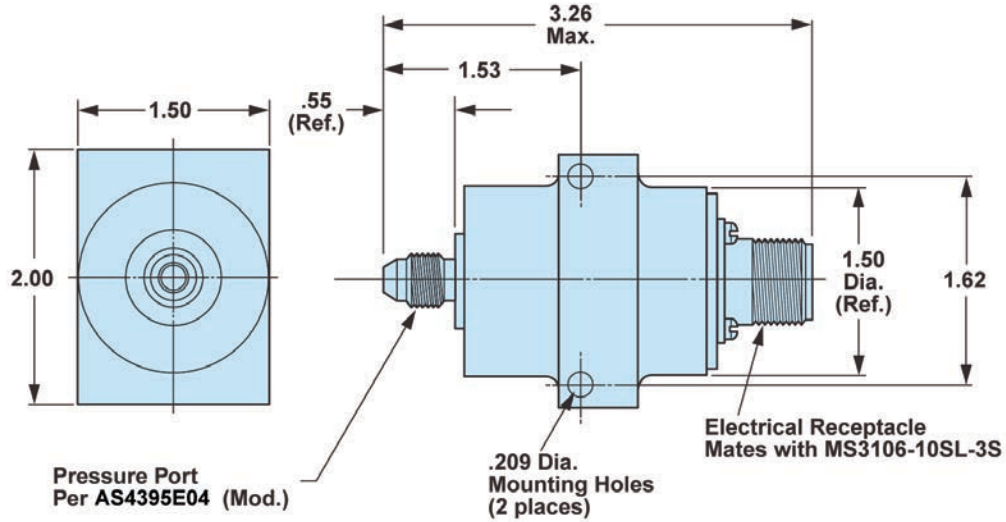


ITT

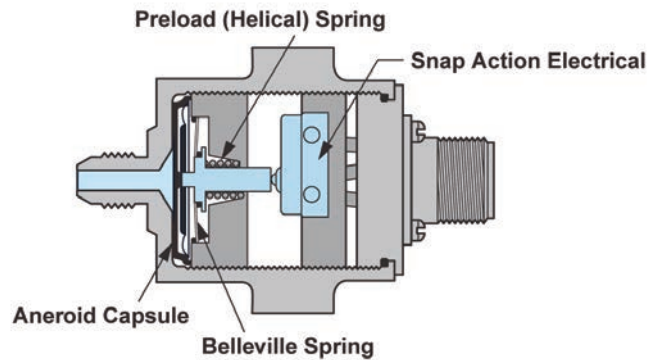
ITT Aerospace Controls | 28150 Industry Drive | Valencia, CA 91355, USA
Phone: 661-295-4000 | Fax: 661-294-1750
Email: sales.aerospace@itt.com | Web: www.ittaerospace.com

1194P Absolute Pressure Switch

Envelope Dimensions



Basic Principles of Design



ITT

ITT Aerospace Controls | 28150 Industry Drive | Valencia, CA 91355, USA
Phone: 661-295-4000 | Fax: 661-294-1750
Email: sales.aerospace@itt.com | Web: www.ittaerospace.com

AER0932-1194 04/24

Specifications and dimensions subject to change.