

# 1166P Series Differential Pressure Switch

## Differential Pressure Switch

Nega-Rate® Belleville disc spring/diaphragm sensing mechanism is suited for air, oil and fuel applications.

- Low water column setting and narrow deadband capability
- Suitable for gauge, differential or vacuum applications
- Stable set points over varying system conditions
- Suitable for airspeed, duct flow and fluids



## General Specifications

- Set point range from 1 to 100" H<sub>2</sub>O
- Deadband range from .5 to 10" H<sub>2</sub>O or 8%, whichever is greater, to 45% of the set point
- System pressure up to 10 psig
- Proof pressure up to 100 psig
- SPDT snap action switch element
- Temperature Range
  - Ambient -65°F to +275°F (-54°C to +135°C)
  - Media -65°F to +275°F (-54°C to +135°C)
- Vibration capability to 5G's

## Optional Features

- Dry circuit to 7 amps 28 VDC electrical rating
- DPDT snap action switch element
- Electrical connector per most military specifications or wire leads per MIL-W-16878/4
- Pressure connection per most military specifications
- Available with stainless steel diaphragm
- Mach and density versions

## Heritage

The Series 1166P has seen usage in several critical Military programs.

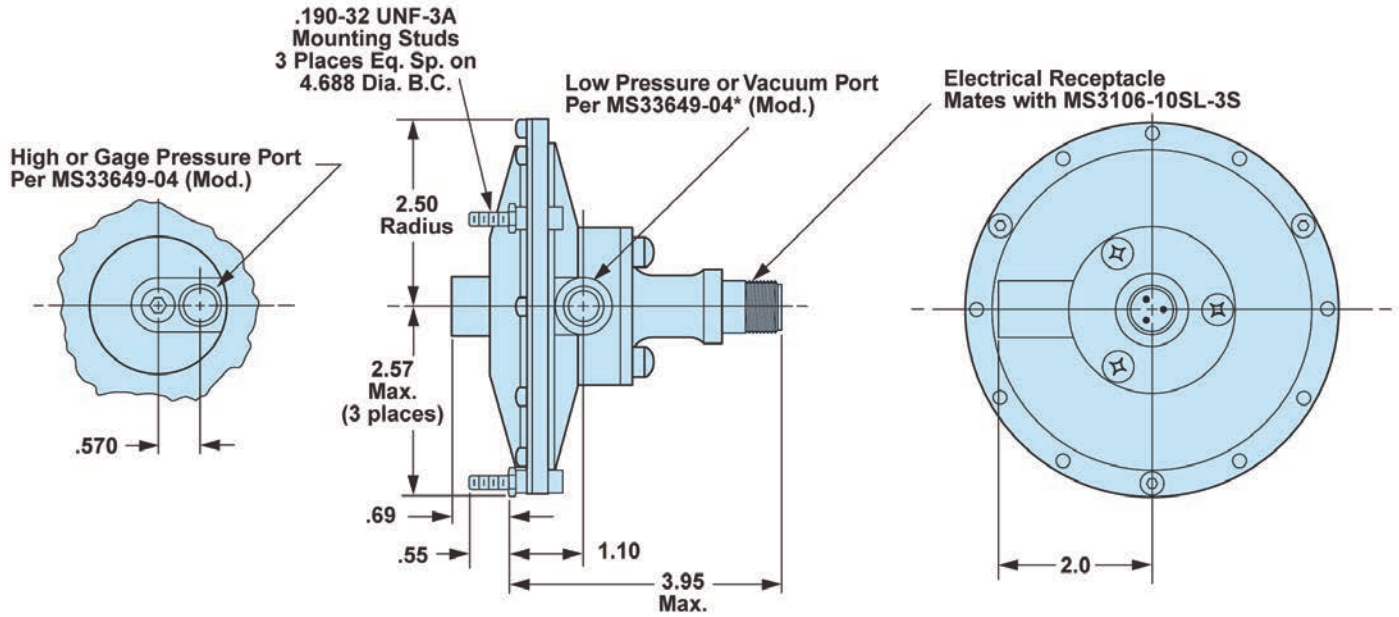


**ITT**

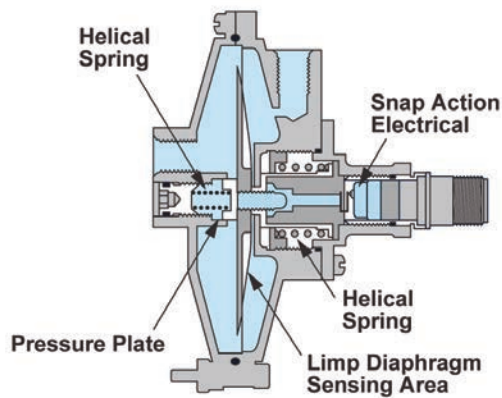
ITT Aerospace Controls | 28150 Industry Drive | Valencia, CA 91355, USA  
Phone: 661-295-4000 | Fax: 661-294-1750  
Email: sales.aerospace@itt.com | Web: www.ittaerospace.com

# 1166P Series Differential Pressure Switch

## Envelope Dimensions



## Basic Principles of Design



\*Low Pressure Port Open to Atmosphere For Gage Pressure Applications



**ITT**

ITT Aerospace Controls | 28150 Industry Drive | Valencia, CA 91355, USA  
Phone: 661-295-4000 | Fax: 661-294-1750  
Email: sales.aerospace@itt.com | Web: www.ittaerospace.com

AER0932-1166 04/24

Specifications and dimensions subject to change.